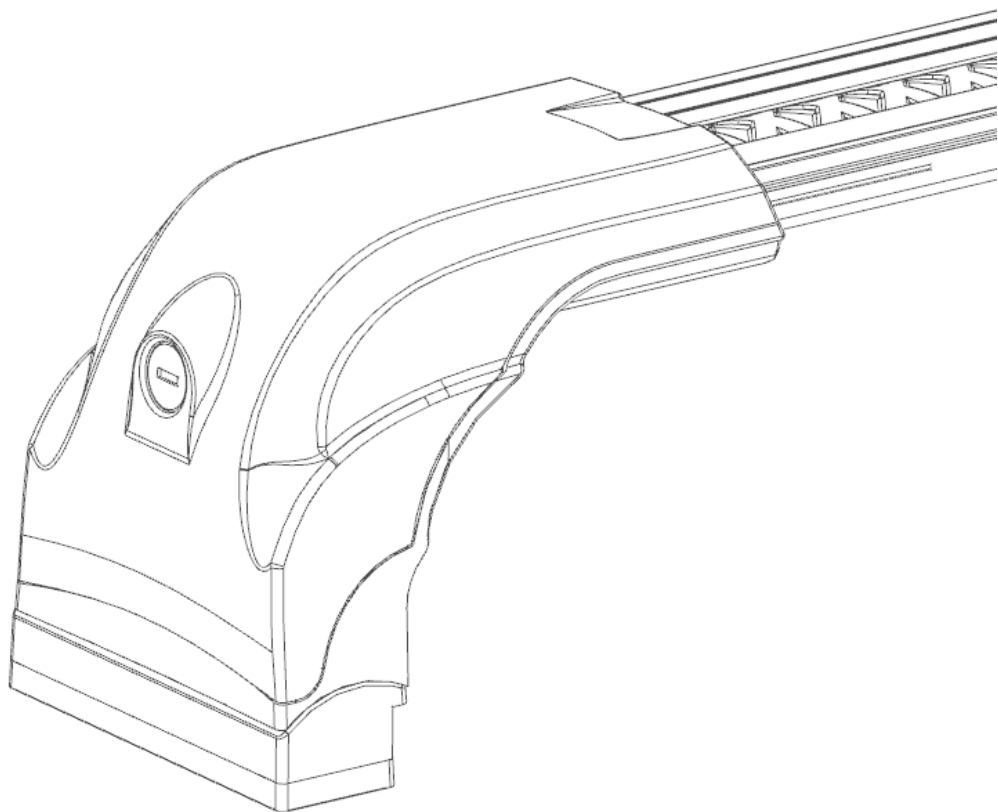


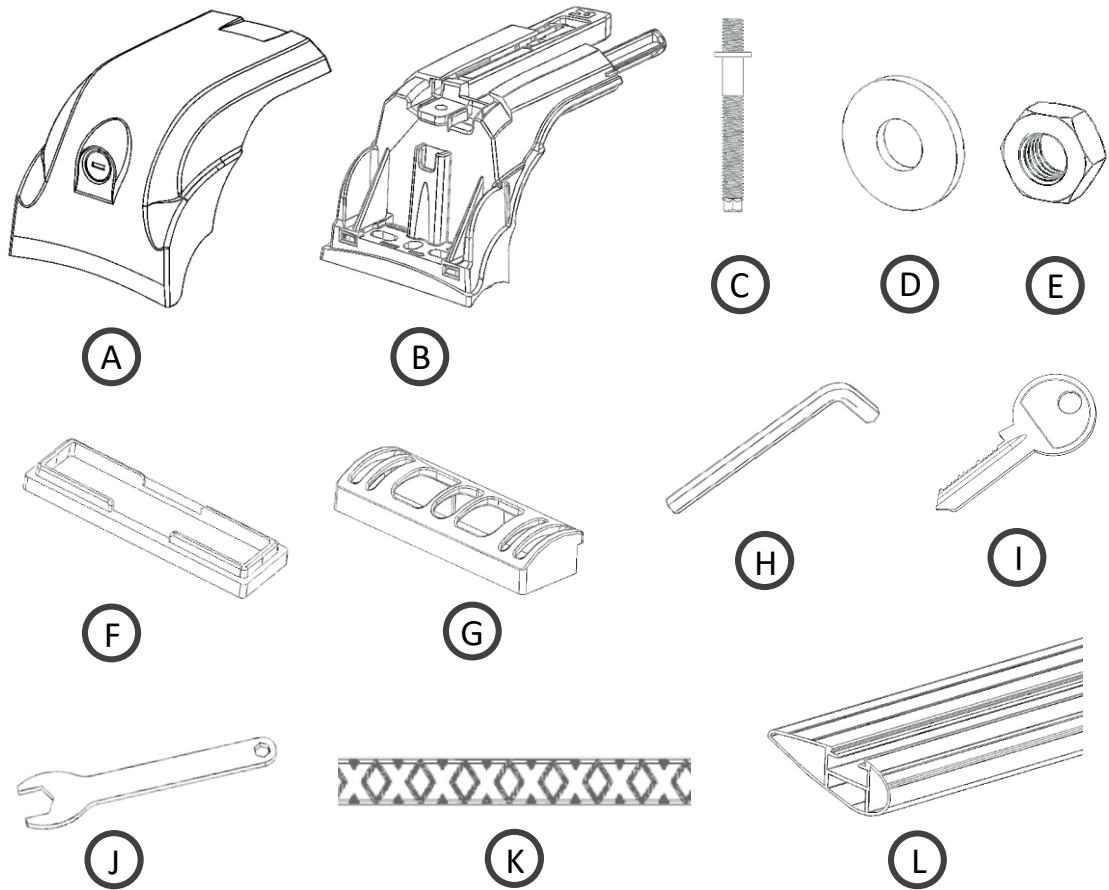
Instructions

ECEM V3



ERKUL[®]
Products & Quality

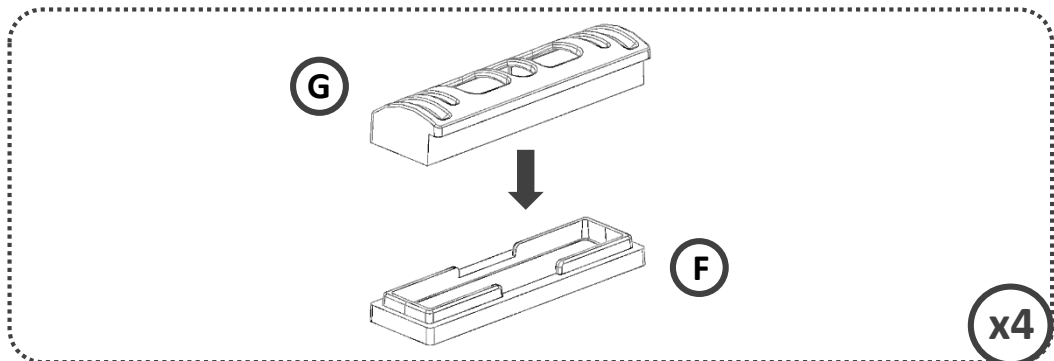
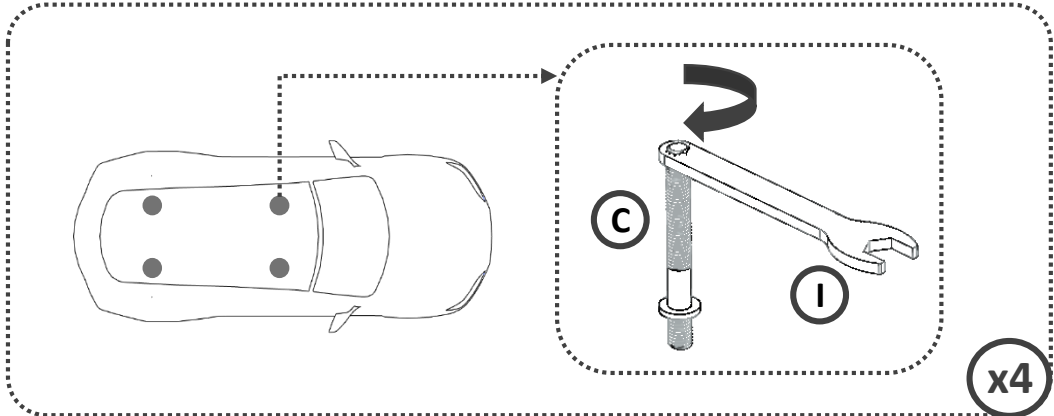
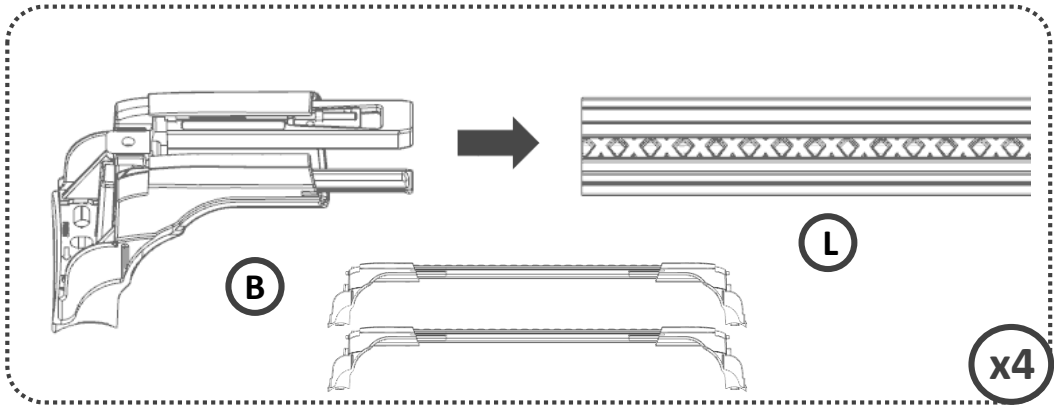
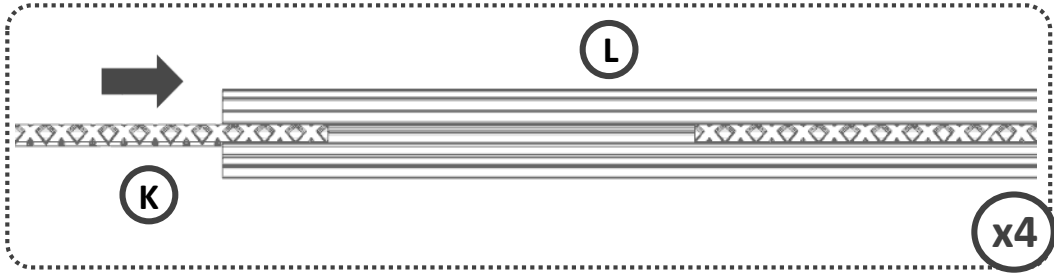
PARTS INCLUDED



PART	DESCRIPTION	QTY.
A	LOCK COVER	4
B	CROSSBAR	4
C	CARRIAGE BOLT	4
D	WASHER (M8)	4
E	NUT (M8)	4
F	RUBBER MOUNT BASE	4
G	PLASTIC MOUNT BASE	4
H	ALLEN SCREW (4 mm)	1
I	KEY	2
J	WRENCH	1
K	LONG RUBBER STRIPS	4
L	FRONT, REAR PROFILES	2

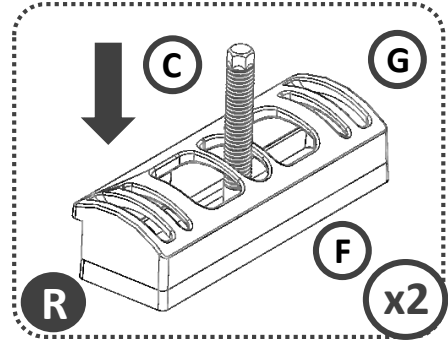
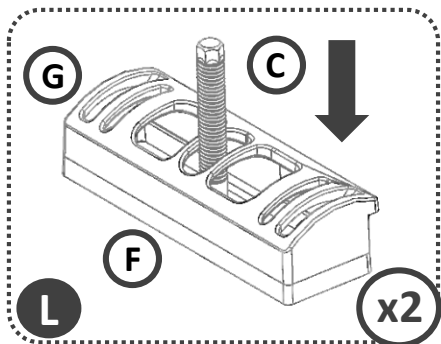
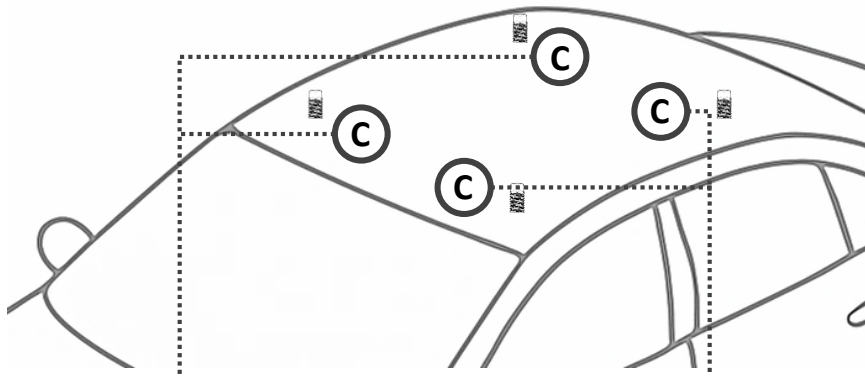
1

PREASSEMBLY



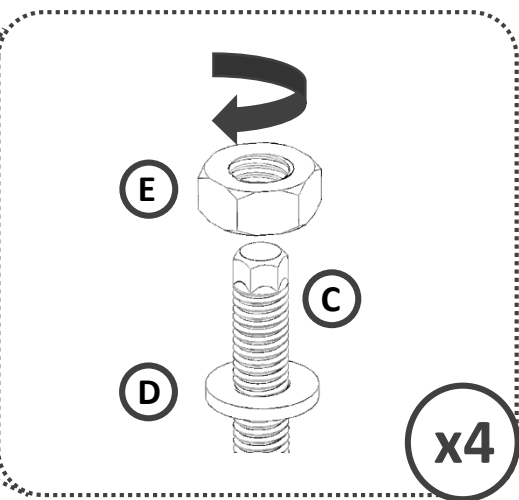
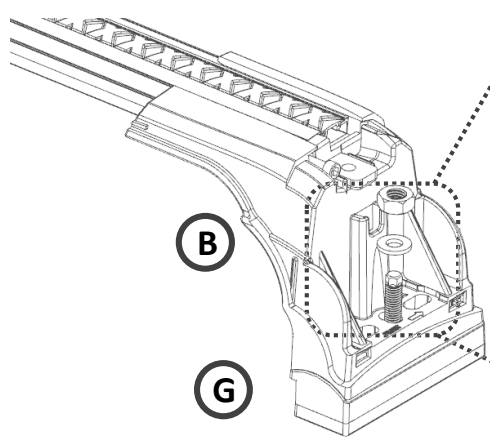
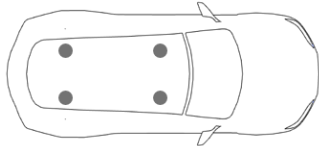
2

INSTALLATION



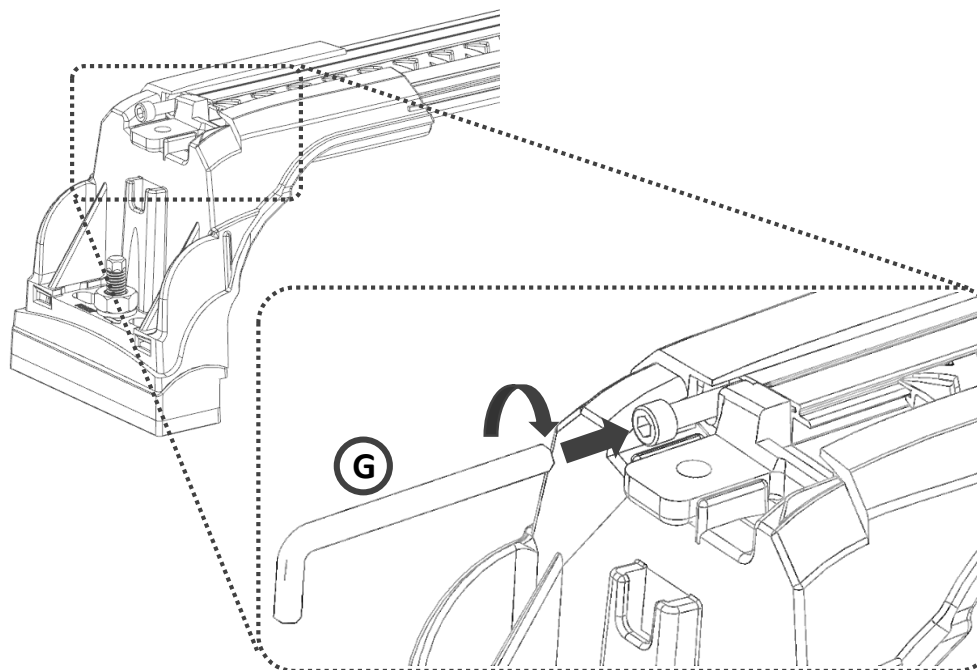
3

INSTALLATION

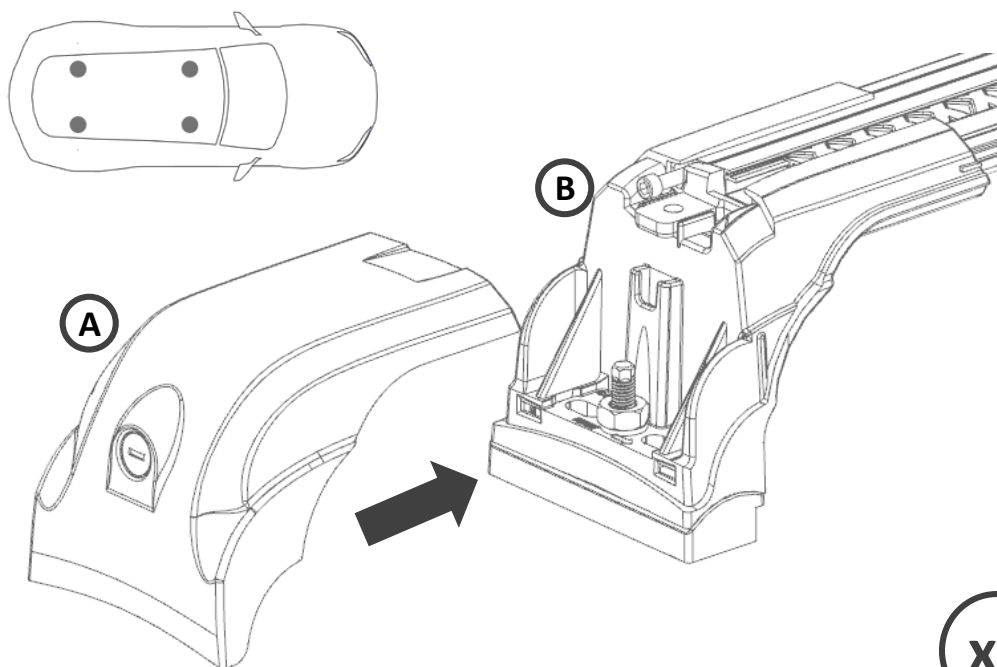


4

INSTALLATION



x4



x4

